

Hillmar

Hillmar Industries Ltd.

7371 Vantage Way
Delta, BC V4G 1C9
P:604 946-7115 F:604 946-0329
info@hillmar.com www.hillmar.com

CABLE REEL GB90DD
GB90DD-155-HS90-16000
GEARBOX
SLS & MKTG
ENGLISH

Sheet Number:

Job Number:

Form Number:
629-864-75700PT

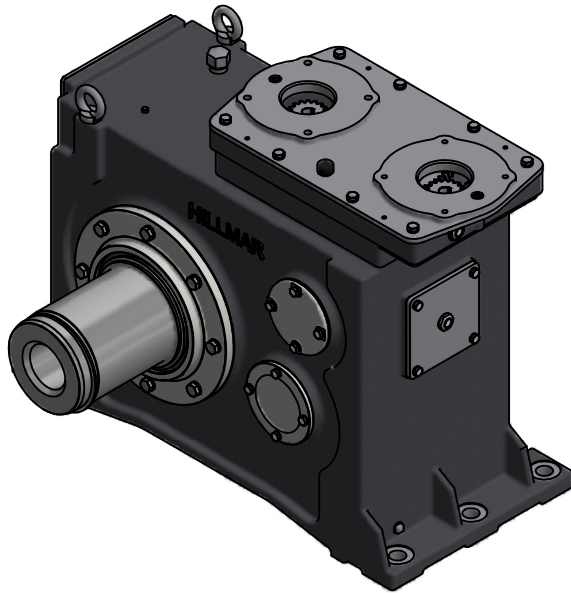
Company / Project Reference:

Date.:

Page.:
1 OF 1

Document Package No.: Rev.:

Inventor Drawing

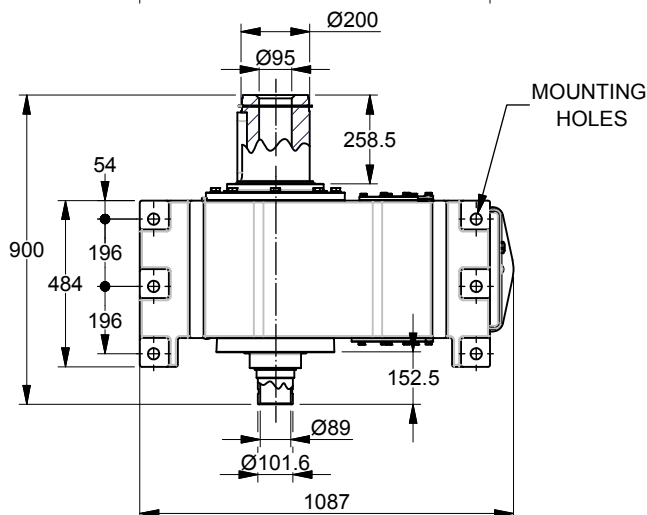
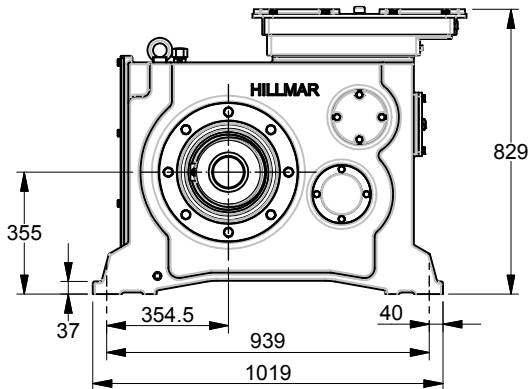


FEATURE	CODE
Gearbox single drive	GB90DD
Ratio	155
Hollow shaft [mm]	HS90
Output torque [Nm]	16000

Example for ordering	GB90DD-155-HS90-16000
-----------------------------	------------------------------

TECHNICAL DATA

Output torque [Nm]	16000
Overhanging load [N]	100000
Weight [kg]	1100
Oil capacity main case [l]	60
Oil capacity input case [l]	5
Wind load [N]	x
Wind load [N]	6xØ33



NOTES

All figures are nominal figures only
All dimensions are in millimeters

Document Template #710-101-62058

** ALL TECHNICAL DATA IS SUBJECT TO CHANGE WITHOUT NOTICE **
Hillmar works have a fully registered ISO 9001-2008 quality assurance programme (QCB #01-1525)

C:\vaut_workspace\HILLMAR\HILLMAR PRODUCTION\06 CABLE REEL\CABLE REEL PART\0700-6\07006008 CRPRTS\02 SPC-SHT-CRPRTS\05 GB-ASSY\621-864-75700PT GB90DD-151-HS90-16000.dwg